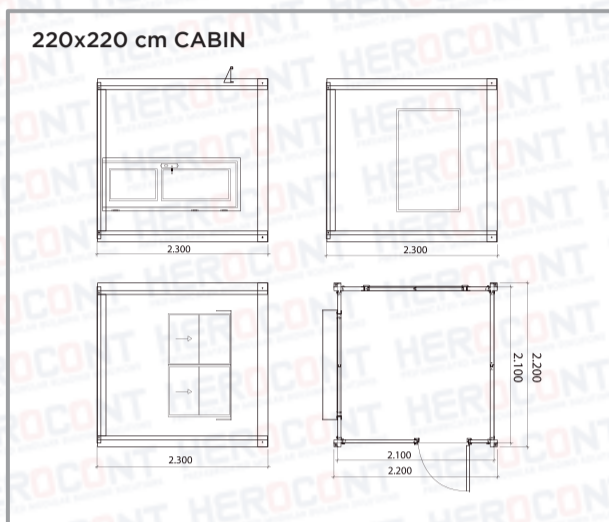
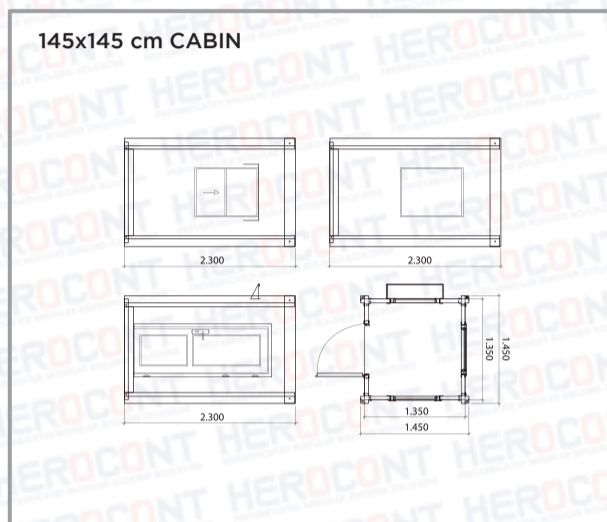


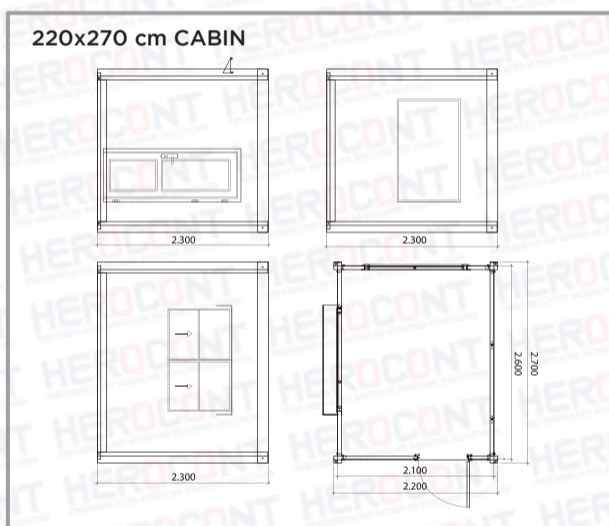
## SECURTY CABIN PLANS



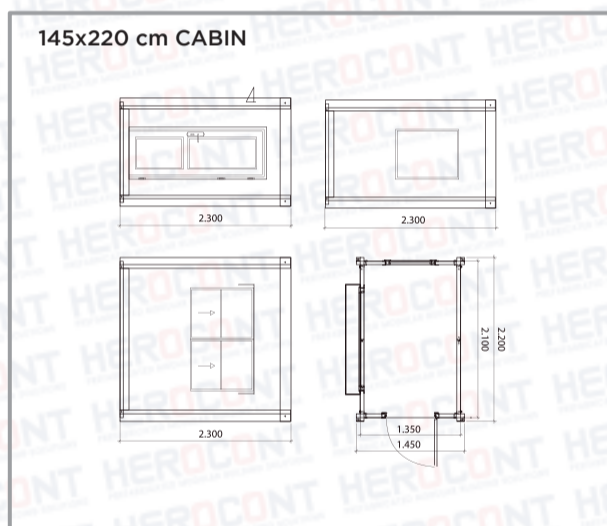
HSC-B.1



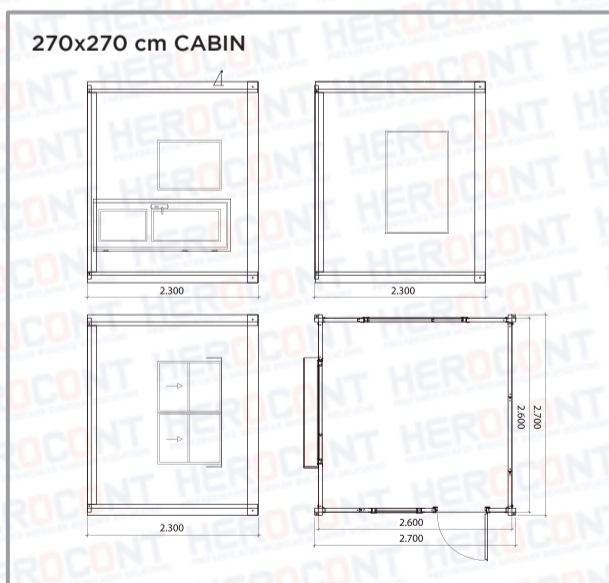
HSC-A.1



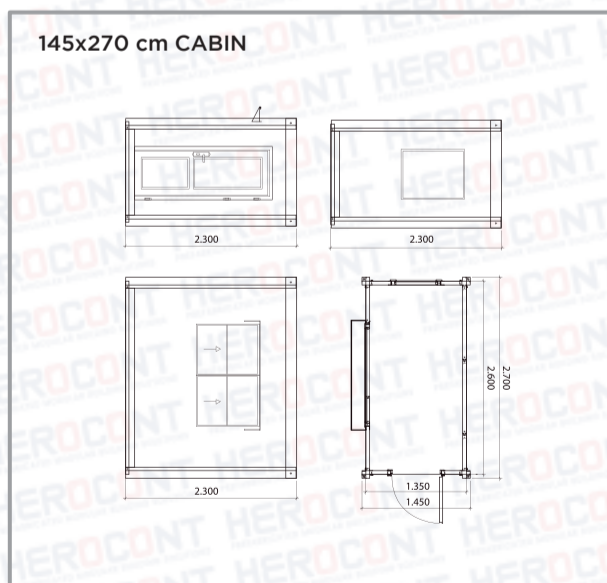
HSC-B.2



HSC-A.2

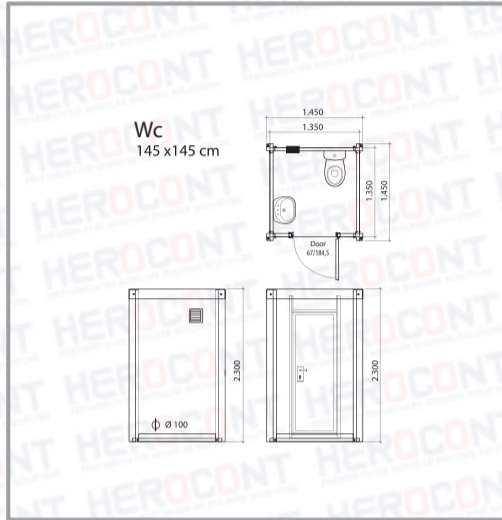


HSC-B.3



HSC-A.3

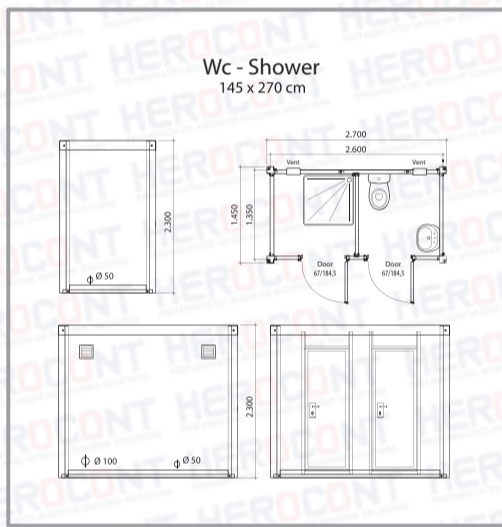
## MODULE SYSTEM WC - SHOWER PLANS



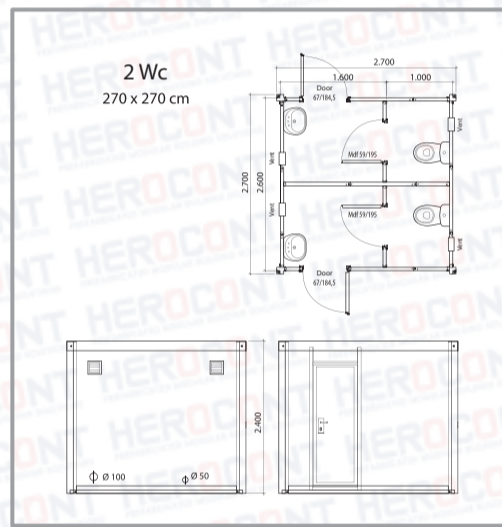
HC WC-1



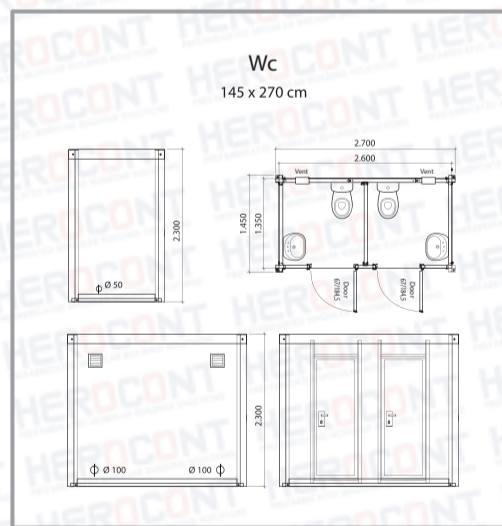
HC SH-1



HC WC SH-1



HC WC-2.1



HC WC-2