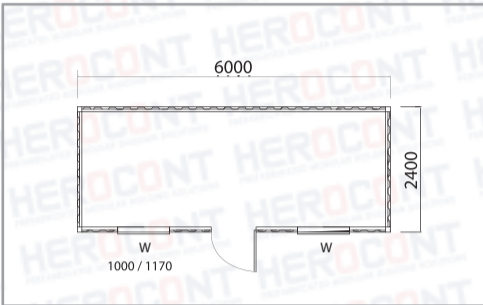
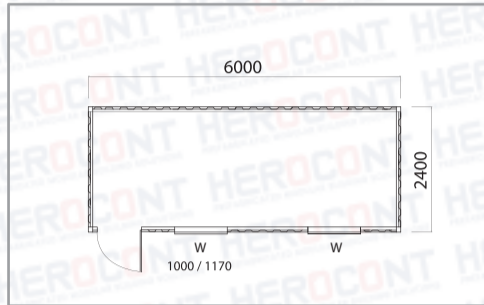


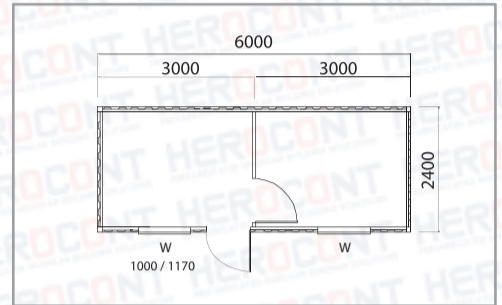
## 2.40 X 6.00 = 14.40 m<sup>2</sup> MODULE SYSTEM CONTAINER PLANS



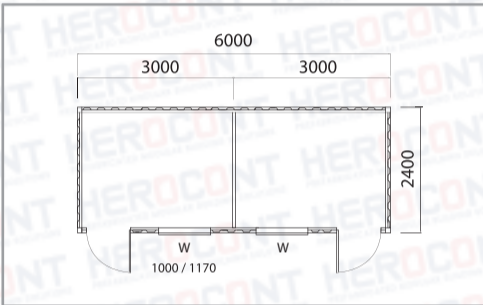
HC-1



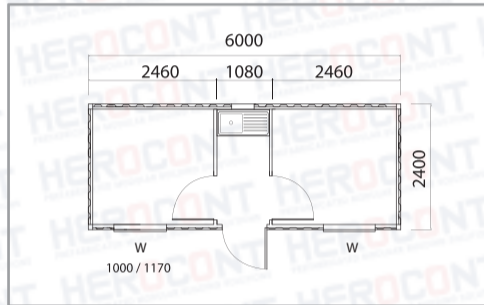
HC-2



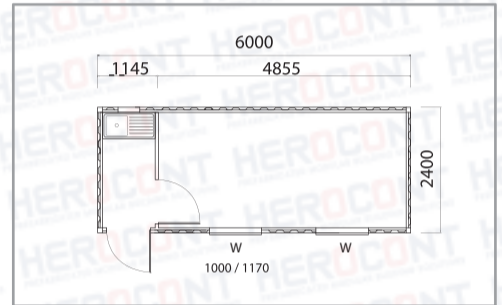
HC-3



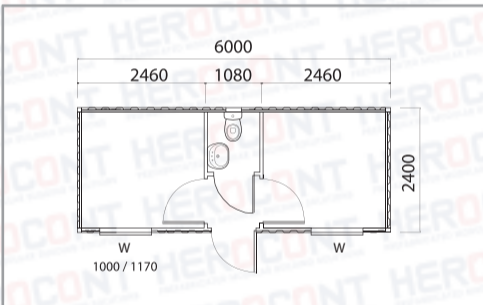
HC-4



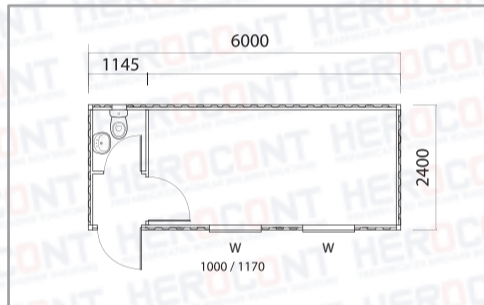
HC-5



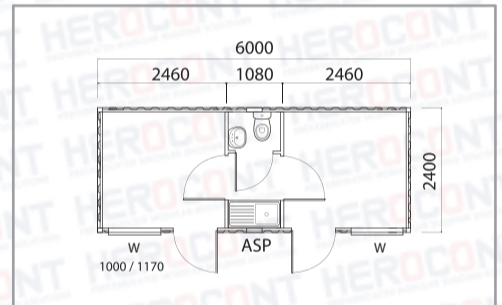
HC-6



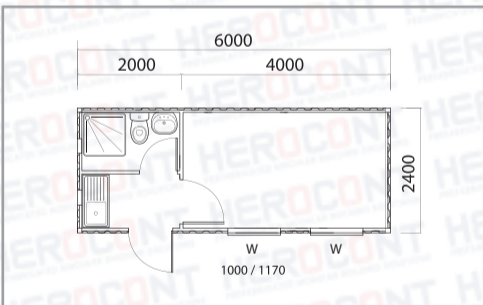
HC-7



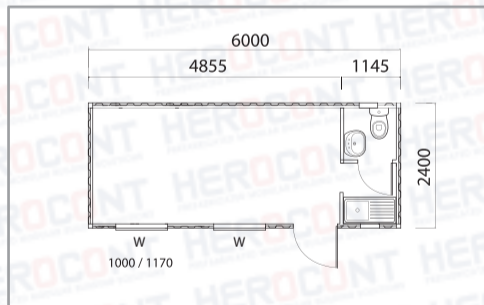
HC-8



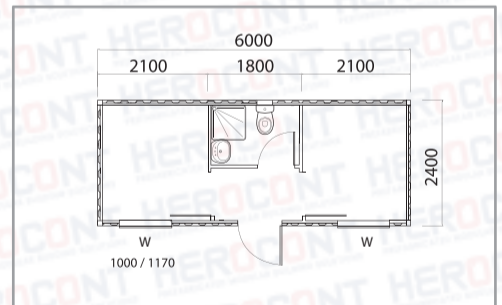
HC-9



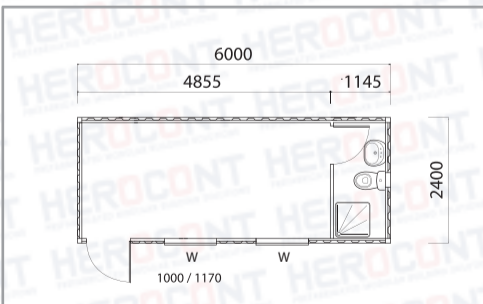
HC-10



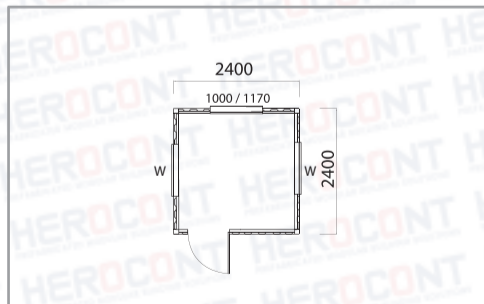
HC-11



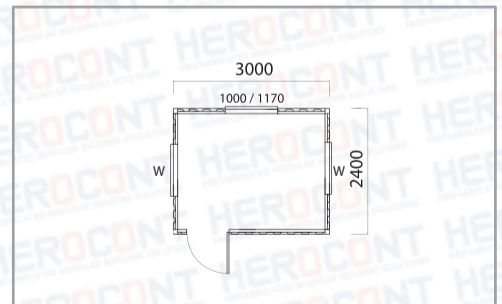
HC-12



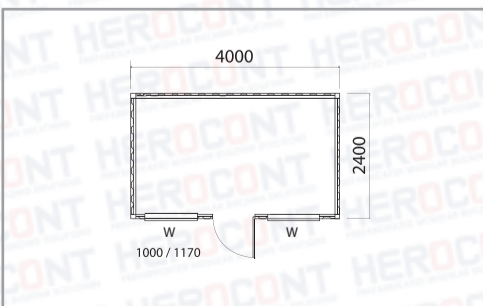
HC-13



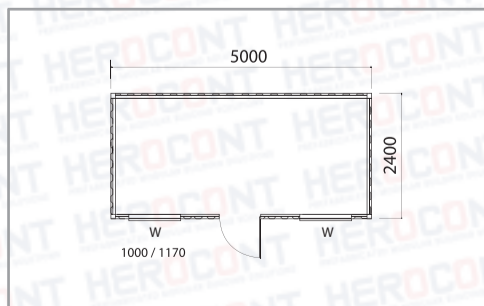
HC A-1



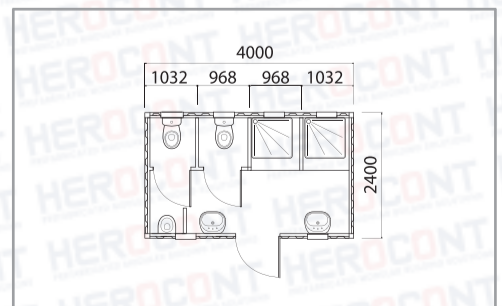
HC A-2



HC A-3



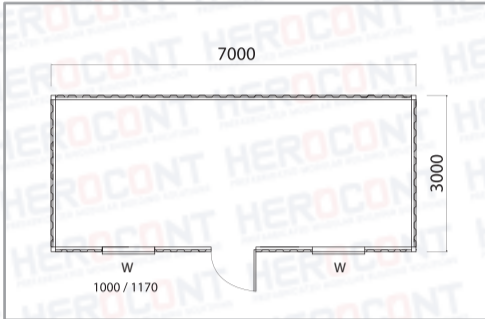
HC A-4



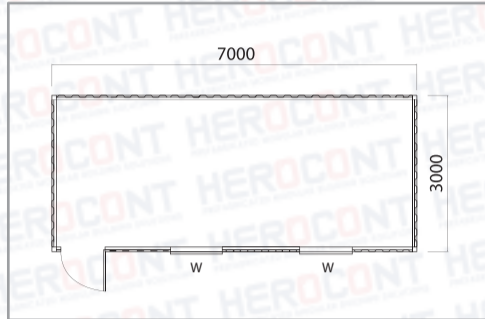
HC WC SH-2



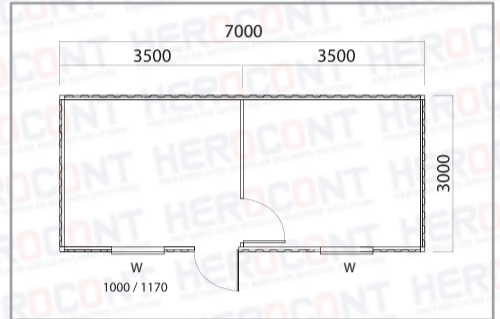
## 3.00 X 7.00 = 21.00 m<sup>2</sup> MODULE SYSTEM CONTAINER PLANS



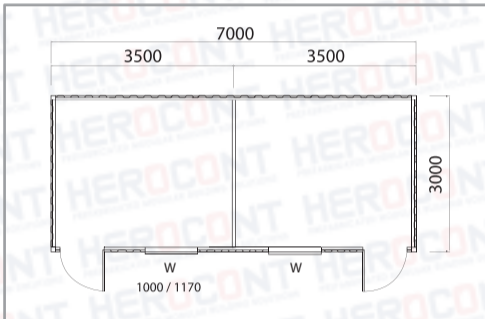
HC-1



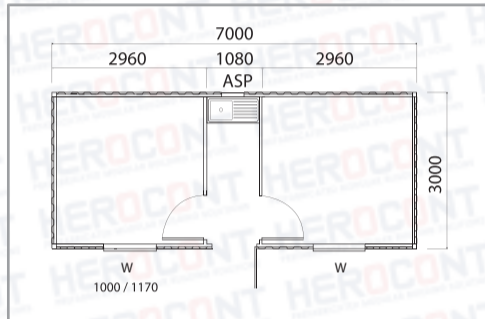
HC-2



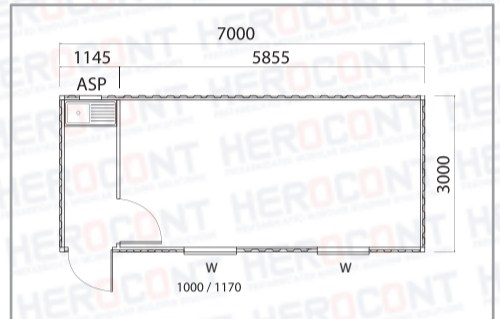
HC-3



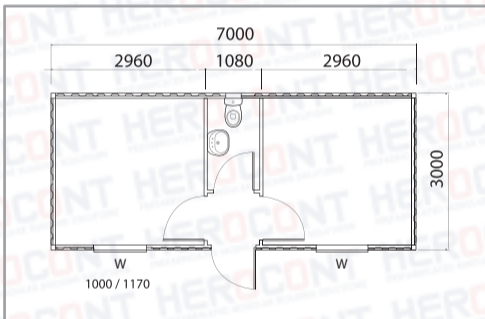
HC-4



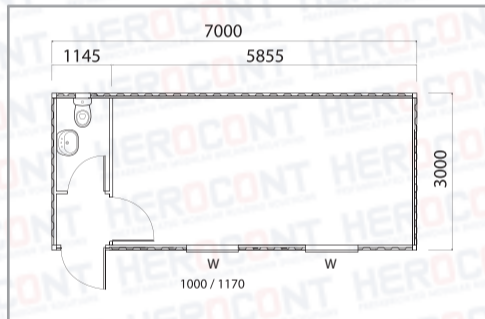
HC-5



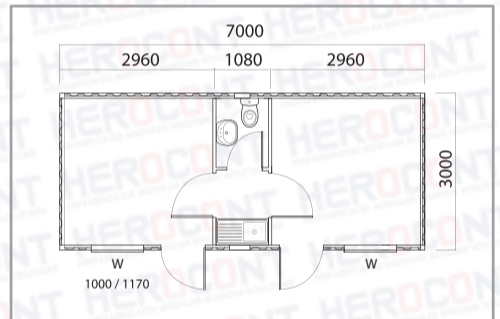
HC-6



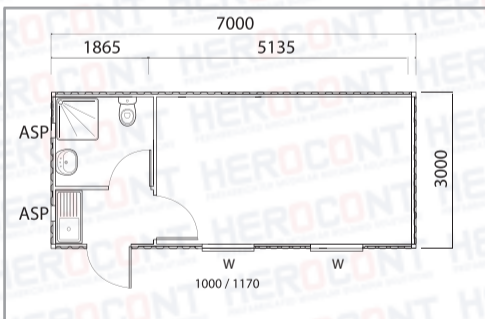
HC-7



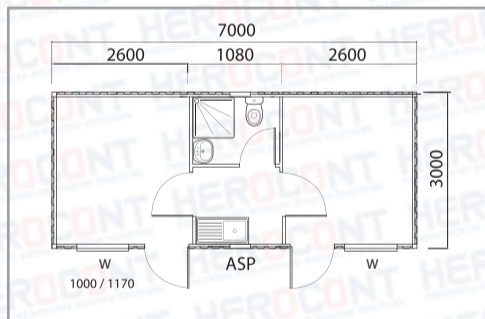
HC-8



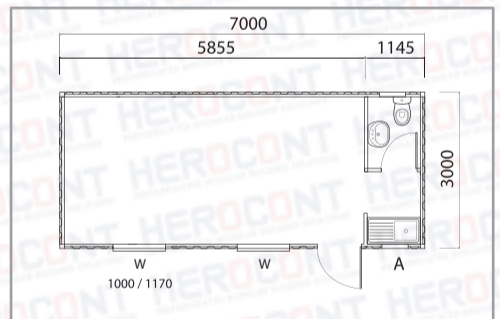
HC-9



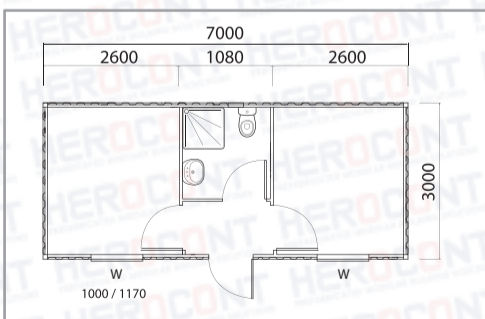
HC-10



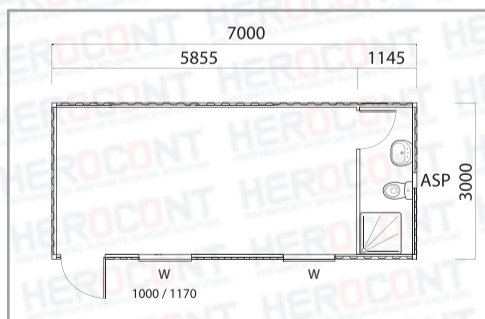
HC-14



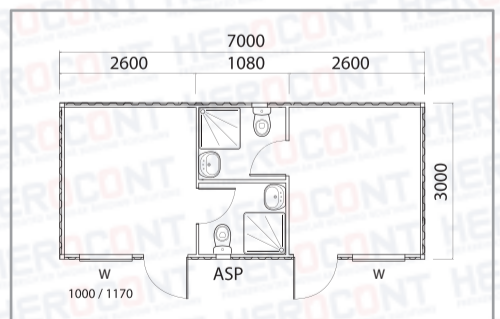
HC-11



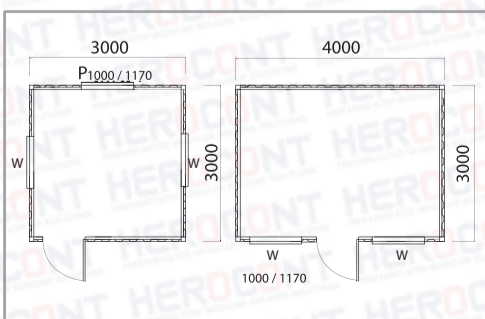
HC-12



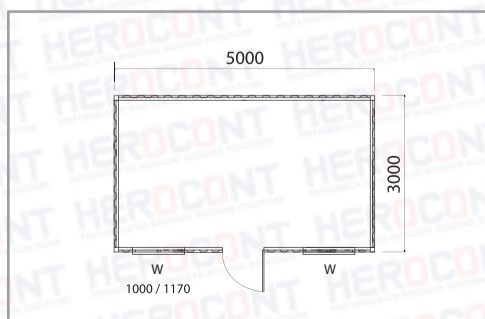
HC-13



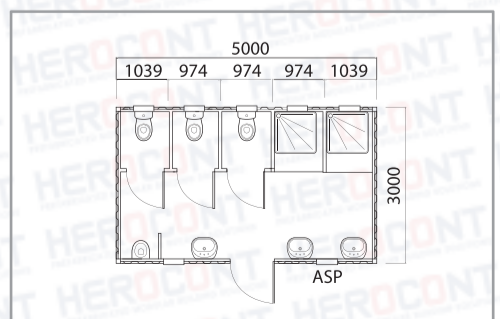
HC-15



HC A-5



HC A-6



HC WC SH-3